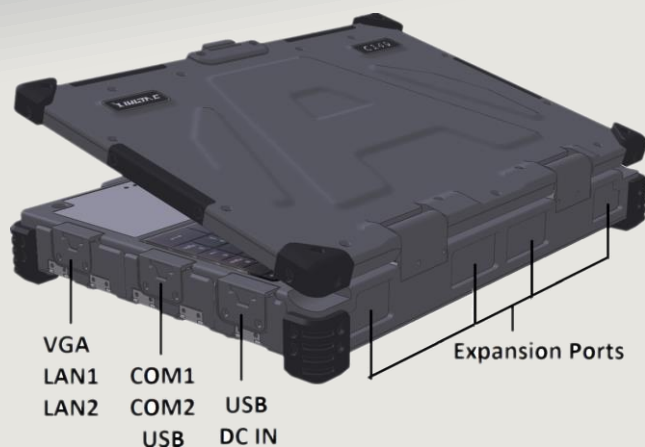




C149 v1.1

14" Fully Rugged Notebook

- Support expansion ports
- I/O: Support MIL-standard interface/universal interface
- CPU: Support 6th Gen Intel Skylake-U,
- RAM: DDR4 high speed memory, Max support 32GB
- Display: Full HD display, supports sunlight readable
- Support customization
- Protection level: IP65
- Working temperature: -20°C - 60°C.



Specifications

Processor System	CPU	Intel®i7-6600U	Intel®i5-6200U	Intel®i7-3517UE	
	Frequency	2.6 GHz - 3.40 GHz	2.3 GHz – 2.80 GHz	1.9 GHz – 2.80 GHz	
	L3 Cache	4 MB SmartCache	3 MB SmartCache	3 MB SmartCache	
	Chipset	Integrated PCH			
	RAM	DDR4 2133MHz 8GB (optional 16GB)			
	Storage	1 x 2.5" 500GB SSD (Optional 1TB)			
	LAN Controller	LAN1: Inte I210IT LAN2: Intel I210IT			
	I/O Interfaces	2 x LAN 2 x USB3.0 1 x VGA 2 x COM			
		1 x DC in			
	Speaker	2 x 2W 4Ω			
Display	size	14"			
	Resolution	1920*1080			
	Luminance	800 (cd/m2)			
	Contrast Ratio	800:1 (Typ.) (TM)			
	Viewing Angle	89/89/89/89 (Typ.)(CR≥10)			
Expansion	Camera	5MP			
	Data Transmission	Optional 3G/4G Module			
	WIFI	Intel®622ANHMW (Optional Bluetooth)			
	GPS	Optional GPS			
OS	OS Support	64bit Windows7 / 10	64bit Windows7 / 10	Windows XP / 7 / 10	
		Power consumption Max 70W, AC 110 - 240 V, 50/60Hz			
Power Supply	Battery	7500mAH (≥4Hours)			
Physical	Dimension	374(L) X 265(W) X 63(H) mm			
	Weight	≈ 6 kgs			
Environment	Working Temp.	-20°C ~ +60°C			
	Storage Temp.	-30°C ~ +70°C			
	Relative humidity	5%~95% (No condensation)			
Rugged Features	IP65 GB/T 4208-2017/IEC 60529:2013				
	Shock: Half sine 5G, 11ms, XYZ axis 3 times, running state				
	Vibration: 20 ~ 200Hz 1.5G random vibration 30min, running state				

Details

