

# TPC-8080E

8" Industrial Panel PC



## Features:

- Industrial 8" XGA TFT LCD, resistive touch screen
- Embedded low power consumption dual core CPU
- Supports memory up to 8GB DDR33L,SSD up to 128GB
- Compact fanless design with aluminum magnesium alloy enclosure
- Resistive touch screen

## Introduction:

The TPC-080E touch panel pc with a 8 " TFT LCD, embedded low power consumption dual core CPU, it is a economic PC which meet various demands of harsh industrial applications.

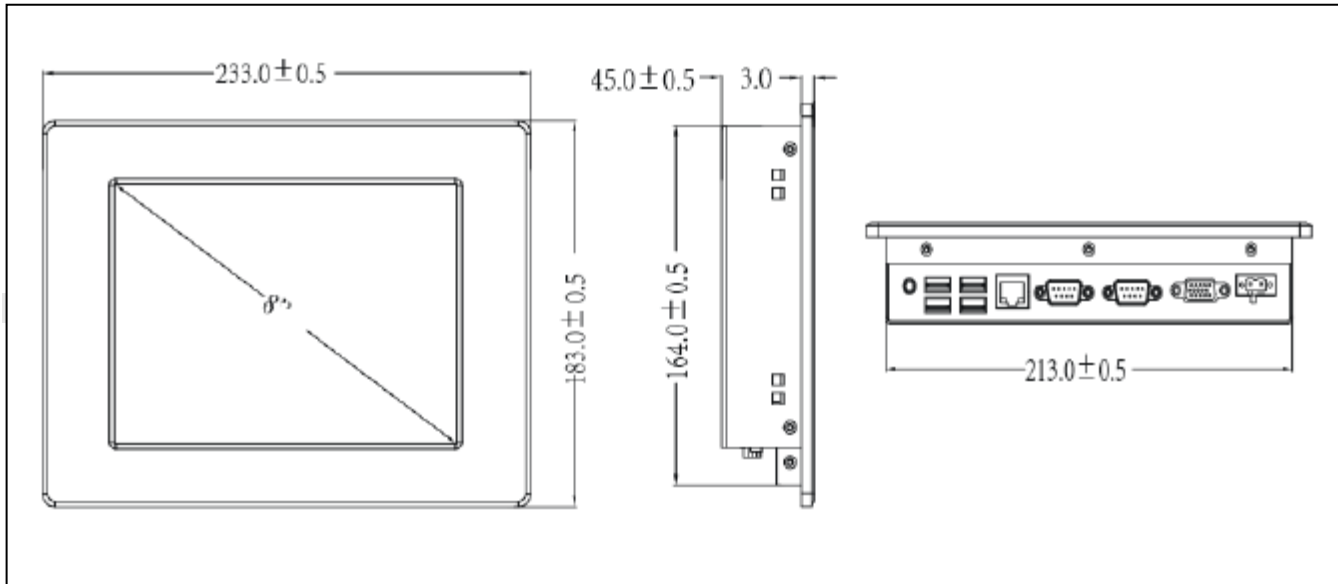
## Specification:

General	
Display Size	8" TFT-Panel
CPU	Embedded dual core J1800
Chipset	Intel Bay Trail
BIOS	SPI 64M
Graphics	Intel® HD4000/5000/6000 Graphics
Display memory	Shared memory with RAM
RAM	Slot DDR3L, support MAX 8GB
Storage	16GB SSD, up to 128 GB
Network	Rtl8111F GbE LAN
I/O interface	4 x USB2.0 Port, 1 x GigaLAN, 1 x VGA 1 x RS232/RS485,1 x RS232,
Expansion	GPIO 12 bit programmer,3.3V@24mA 1 * Mini-PCIe socket, Support 3G/4G Module
Watchdog Timer	Programmable 1 ~ 255 sec; Support System Reset
Mounting	Panel, VESA 75*75, 100*100
Power supply	9-30 V DC
Power Interface	2pin Phoenix
Operating System	WIN7 / 8 / 10
Dimension (WxHxD)	233*183*45mm
Net Weight :	2kgs

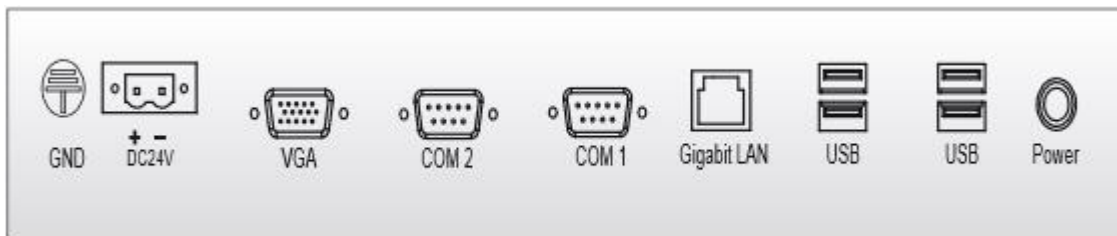
Touch screen	
Type	4-wire resistive
Knocking life	≥ 10 <sup>6</sup> times with a silicone rubber R8 finger, writing rate is by 250g at 2 times/s
Stroke life	≥ 100000 times
LCD	
Type:	8" TFT
Resolution	800*600
Luminance	250cd/m <sup>2</sup>
LCD life	50,000 hours
Backlight life	30,000 hours
Environment	
Operation Temperature	0 - 50°C
Storage temperature	-20 - 70°C
Relative Humidity	5%~90%@50°C
Shock	peak acceleration 150m/s <sup>2</sup>
Vibration	Displacement amplitude of 10~57Hz is 0.075mm
	Peak acceleration of 57~150Hz is 9.8m/s <sup>2</sup>
Impulse width	10ms, half sinusoid

**Dimension:**

Unit: mm



**I/O Ports:**



**Packing List:**

TPC-8080E	1
Power Adapter	1
Ground Wire	1
User Manual	1

**Ordering information:**

Model	Description
TPC-8080E	8" industrial panel pc